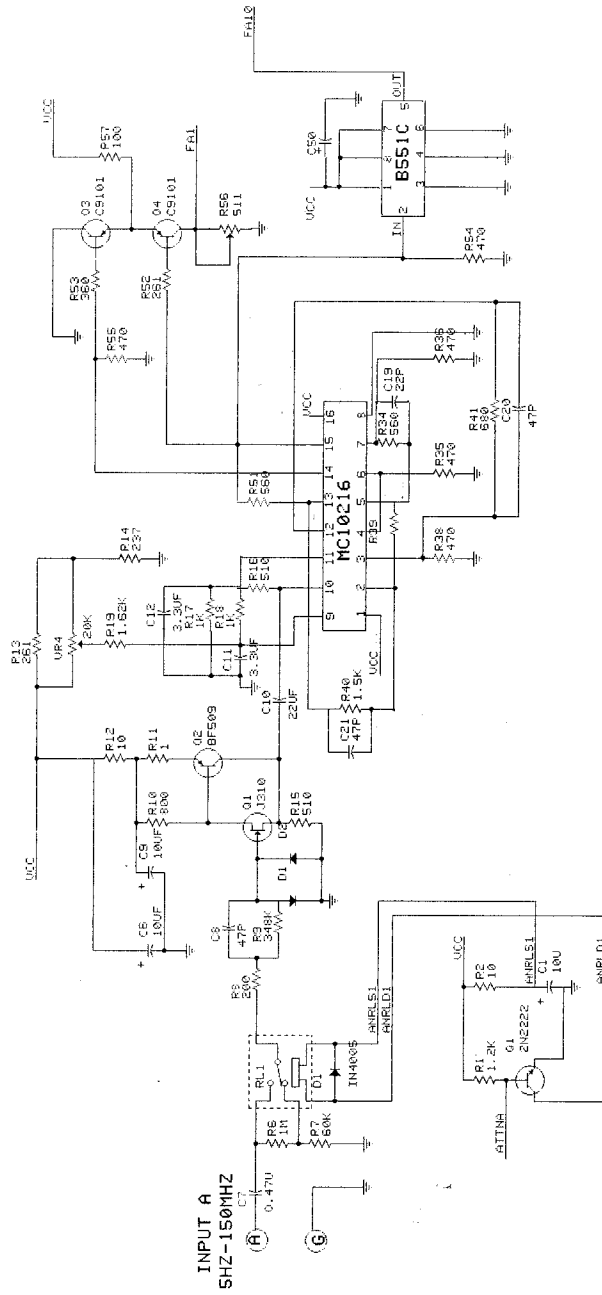


THIS IS ANALOG INPUT CIRCUIT



TITLE	ANALOG INPUT CIRCUIT
MODEL	COMMON
DRAWING NO.	4 OF 6